

CEM-C6

Single-phase electrical energy meter, for assembly on DIN Rail



Description

CEM-C6 is a single-phase electrical energy meter that can measure up to 100 A, is capable of measuring energy in two directions and has Class 1 accuracy. In addition, the meter features a built-in RS-485 / Modbus RTU communication system.

Other features:

- Complies with the **IEC 62052-11** and **IEC 62053-21** standards (general and specific requirements of measuring units)
- Compact dimensions (1 DIN rail module, 18 mm)
- Backlit LCD display (6 digits) with a scrolling screen system used to display the electrical parameters (V, A, kW, kvar, kVA, kWh and cos φ).

Applications

- Measurement of the consumption of electricity in buildings, machinery or the tertiary sector.
- Control of consumption with a multi-tariff function, to measure the consumption of each period
- Energy consumption is reported to a remote system.

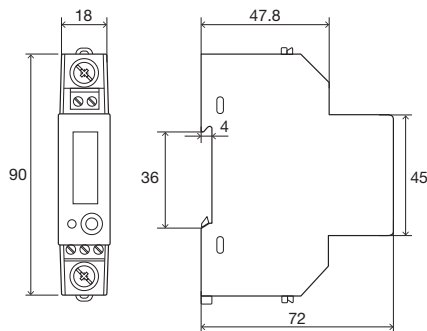
Technical features

Power circuit	Rated voltage	230 V _{ac}
	Frequency	50...60 Hz
	Consumption	0.4 Wh / ≤ 8 VA
Voltage measurement circuit	Connection	Single-phase
	Reference voltage	230 V _{ac}
	Frequency	50 / 60 Hz
Current measurement circuit	Self-consumption	0.4 Wh / ≤ 8 VA
	Nominal current I _n	10 A
	Maximum current	100 A
Accuracy	Self-consumption	< 0.1 % of I _n
	Class 1 (IEC 62053-21)	
LED constant	1000 imp/kWh	
Environmental features	Operating temperature	-25...+65°C
	Relative humidity	95% without condensation
	Maximum altitude	2000 m
Build features	Enclosure material	ABS + Self-extinguishing polycarbonate
	Protection degree	IP 51 Installed
	Dimensions	18 x 90 x 72 mm
	Weight	100 g
	Standard	IEC 62052-11, IEC 62053-21

References

Type	Code	Description
CEM-C6	Q26112	Single-phase electrical energy meter for assembly on DIN Rail

Dimensions



Connections

