

# M-CVM-AB

## Expansion modules M-CVM-AB-8I-8OR



### Description

Expansion module with 8 digital inputs and 8 relay outputs.

### Applications

#### Digital inputs

- Reports via communications:
- Logic states of non-unit external systems
- Metering of the impulses generated by other units (water and gas meters, etc.)

#### Digital outputs

- Activation / deactivation by maximum or minimum instantaneous parameter values measured by the unit

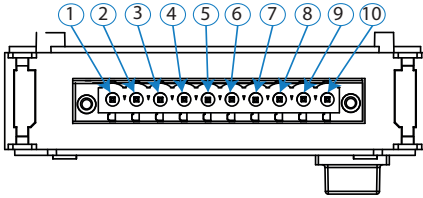
### Technical features

<b>Maximum power consumed</b>		3 W
<b>Mechanical</b>	Terminal protection	IP 20
<b>Logical inputs</b>	Type of input	Voltage-free / NPN
	Type of coupling	Optoisolated input
	Maximum voltage	12 Vdc
	$I_{ON}$	4 mA
	Input consumption	< 0.25 W
	Minimum times	$t_{ON}$ 40 ms
		$t_{OFF}$ 40 ms
	Number of inputs	8
	Connection	0.05-1.5 (AWG 30-14) mm <sup>2</sup>
	Terminal tightening torque	0.3 Nm
<b>Relay outputs</b>	Rated voltage	12 V
	Nominal current	10 mA
	Maximum load Vac	250/5 Vac / A
	Maximum load Vdc	30/5 Vdc / A
	Minimum relay load	100 mV dc
		100 $\mu$ A
	Mechanical working life	$2 \times 10^7$ cycles
	Electrical working life at rated load	$5 \times 10^4$ cycles
<b>Digital outputs</b>	Number of outputs	8
	Connection	0.05-2.5 (AWG 30-12) mm <sup>2</sup>
	Terminal tightening torque	0.6 Nm
<b>Code</b>	<b>M56E02</b>	

# M-CVM-AB

## Expansion modules M-CVM-AB-8I-8OR

### Connections

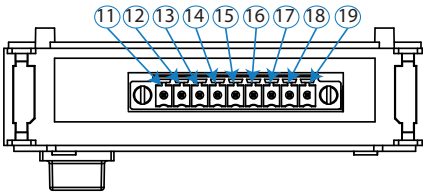


Terminals of relay digital inputs/outputs, upper face

#### Terminals on the upper face

List of terminals on the upper face, relay digital inputs/outputs module

Unit terminals					
1	R1	Relay digital output 1	6	R5	Relay digital output 5
2	R2	Relay digital output 2	7	R6	Relay digital output 6
3	R3	Relay digital output 3	8	R7	Relay digital output 7
4	R4	Relay digital output 4	9	R8	Relay digital output 8
5	Rc	Shared by all relay digital outputs	10	Rc	Shared by all relay digital outputs



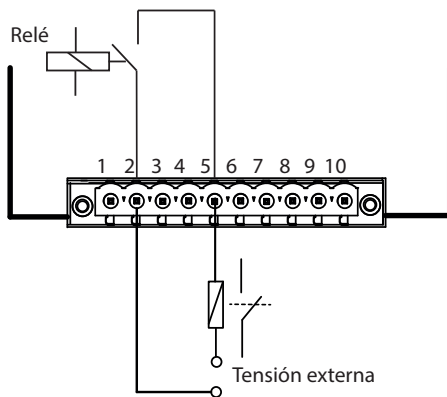
Terminals of relay digital inputs/outputs, lower face

#### Terminals on the lower face

List of terminals on the lower face, relay digital inputs/outputs module

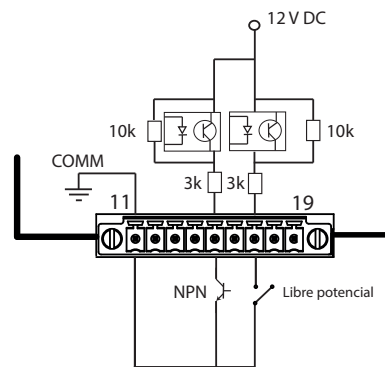
Unit terminals					
11	GND	For digital inputs:	16	I5	Digital input 5
12	I1	Digital input 1	17	I6	Digital input 6
13	I2	Digital input 2	18	I7	Digital Input 7
14	I3	Digital input 3	19	I8	Digital input 8
15	I4	Digital input 4			

#### Transistor digital outputs



Connection diagram, relay digital outputs

#### Digital inputs



Connection diagram, digital inputs