

# CSB-M

Three-phase power capacitor with circuit-breaker protection



## Description

The application of new technologies to manufacture prismatic capacitors have allowed **CIRCUTOR** to reinvent the classic **CS** capacitor, manufactured for over 35 years.

The spirit of innovation and proprietary technology used during the design of the new **CSB** capacitor have increased the lifespan of traditional prismatic capacitors by over 60%.

This new series has improved all aspects of the previous models, offering our customers a longer-lasting, safer and more profitable capacitor.

## Application

Its application is mainly based on the compensation of transformers and motors. In general, they are used for the compensation of installations with constant loads.

## Features

### Features

Operating voltage	230, 400 V (for other voltages, please ask)
Support voltage 400 V	440 V
Capacity tolerance	± 10%
Unit composed of	<b>CSB</b> Capacitor General three-pole protection circuit breaker
Insulation level	3 / 15 kV
Discharge resistance	75 V / 3 minutes
Overcurrent	1.3 times the rated current permanently
Overvoltage	10 % 8 over 24 hours 15 % up to 15 minutes over 24 hours 20 % up to 5 minutes over 24 hours 30 % up to 1 minute over 24 hours
Frequency	50 or 60 Hz
Losses:	<ul style="list-style-type: none"> <li>• Dielectric</li> <li>• Total</li> </ul>
Protections	<ul style="list-style-type: none"> <li>• Dielectric regeneration</li> <li>• Internal fuse</li> <li>• Overpressure system</li> <li>• Vermiculite</li> </ul>

### Construction features

Terminals:	<ul style="list-style-type: none"> <li>• Power rating</li> <li>• Earth</li> </ul>	<ul style="list-style-type: none"> <li>• M6 for <b>CV</b>, M10 for <b>CQ</b>, <b>CSB</b>, <b>CSB-6B</b>, <b>CFB</b>, <b>CFB-6B</b></li> <li>• M6</li> </ul>
Torque value		<ul style="list-style-type: none"> <li>• <b>CV</b> 5 Nm</li> <li>• <b>CQ</b>, <b>CSB</b>, <b>CSB-6B</b>, <b>CFB</b>, <b>CFB-6B</b>: 15 Nm</li> </ul>

### Ambient conditions

Class D temperature:	Daily mean	45 °C
	Annual mean	35 °C
	Maximum	50 °C
	Minimum	-25 °C
Humidity		80% RH
Altitude		2,000 m

### Assembly conditions

Degree of protection	IP 21
Type of assembly	Vertical
Ventilation	Natural or forced, depending on the option
Colour	RAL 7035: Grey / RAL 3005: Maroon

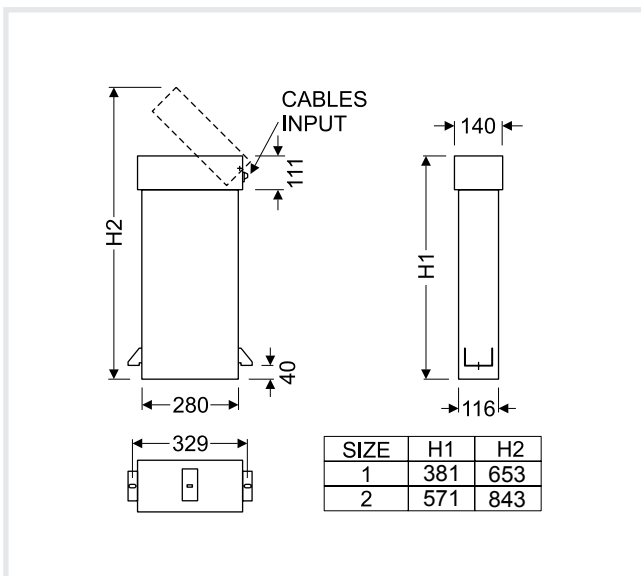
### Standards

CEI 60831-1, CEI 70/7, UNE 20827, UNE 20010, BS 1650, VDE 560

# CSB-M

Three-phase power capacitor with circuit-breaker protection

## Dimensions



## References

### CSB-M 230 V / 50 Hz

kvar	Interrupting power	(A)	Automatic switch	Cable section (mm <sup>2</sup> )	Weight (kg)	Dimensions (mm) width x height x depth	Type	Code
5	6 kA	13	20	6	9	140 x 381 x 280	CSB-M - 5 - 230	R23718
7,5	6 kA	19	35	6	9,2	140 x 381 x 280	CSB-M - 7.5 - 230	R2371A
10	6 kA	25	50	10	9,5	140 x 381 x 280	CSB-M - 10 - 230	R2371C
12,5	6 kA	31	63	10	9,5	140 x 381 x 280	CSB-M - 12.5 - 230	R2371D
15	6 kA	38	80	16	11,3	140 x 381 x 280	CSB-M - 15 - 230	R2371E
20	10 kA	50	100	25	11,8	140 x 381 x 280	CSB-M - 20 - 230	R2371F
25	10 kA	63	125	35	10,8	140 x 381 x 280	CSB-M - 25 - 230	R2371G
30	10 kA	75	160	50	10,8	140 x 381 x 280	CSB-M - 30 - 230	R2371H

### CSB-M 440 V / 50 Hz

kvar	Interrupting power	(A)	Automatic switch	Cable section (mm <sup>2</sup> )	Weight (kg)	Dimensions (mm) width x height x depth	Type	Code	
440 V	400 V								
5	4	6 kA	6,6	10	6	8	140 x 381 x 280	CSB-M - 5 - 440	R23948
7,5	6	6 kA	10	16	6	8	140 x 381 x 280	CSB-M - 7.5 - 440	R2394A
10	8	6 kA	13	20	6	8	140 x 381 x 280	CSB-M - 10 - 440	R2394C
12,5	10	6 kA	16	25	6	8,5	140 x 381 x 280	CSB-M - 12.5 - 440	R2394D
15	12,5	6 kA	20	32	6	8,5	140 x 381 x 280	CSB-M - 15 - 440	R2394E
20	17	6 kA	26	40	10	9,5	140 x 381 x 280	CSB-M - 20 - 440	R2394F
25	21	6 kA	33	50	10	9,5	140 x 381 x 280	CSB-M - 25 - 440	R2394G
30	25	6 kA	39	63	16	11	140 x 381 x 280	CSB-M - 30 - 440	R2394H
37,5	31	10 kA	49	80	25	12,5	140 x 381 x 280	CSB-M - 37.5 - 440	R2394J
50	42	10 kA	66	100	35	15	140 x 381 x 280	CSB-M - 50 - 440	R2394K
60	50	10 kA	79	160	50	16	140 x 571 x 280	CSB-M - 60 - 440	R2394L
75	66	10 kA	105	160	50	18	140 x 571 x 280	CSB-M - 75 - 440	R2394M