

# CIRKAP-C

Fixed or automatic capacitor banks in cabinet

## Description

The installation of the capacitor banks of the **CIRKAP-C** series offers the following advantages:

- Protection against direct contacts of active parts
- Space economy. The use of no security enclosures and use of internal fuses allows the designers to greatly reduce the dimensions of the unit
- Optional addition of switchgear to protect the capacitor bank or perform automatic equipment functions



## Application

The most common applications are:

### Medium Voltage industrial networks

- Compensation of large motors. Usually 3 to 11 kV
- Compensation of HV / MV transformers
- Fixed or automatic compensation of the following installations: cement plants, pumping stations, pipelines, mining, paper industry.

### Generation and distribution systems

- Receiving and distributing stations. Particularly indoor installations, where the use of space is vital
- Generation stations that need an automatic power factor regulation: small-scale hydraulic power plants, wind farms, etc.

## Features

<b>Voltage</b>	1 ... 36 kV
Nominal power	100 ... 14,000 kvar
Frequency	50 or 60 Hz
Location	Indoor / Outdoor
Degree of protection	IP 23 (Other values, on demand)
Insulation level	7.2 ... 36 kV
<b>Setup</b>	
Capacitors	three or single-phase, double star arrangement (depending on the type)
Capacitor bank	Fixed or automatic
<b>Build features</b>	
Dimensions (mm)	depending on the type
Weight	depending on the type
Panels and frames	Painted steel RAL 7035 For outdoor use, treated and painted steel

## References

Shape	Types	Power (kvar) (*)	Insulation levels				
			7.2 kV	12 kV	17.5 kV	24 kV	36 kV
Fixed	Standard	100 ...7200	CMF7T CMF7D	CMF12T CMF12D	CMF17D	CMF24D	CMF36D
	High power	1800...14000		CMF12GP	CMF17GP	CMF24GP	CMF36GP
	With detuned filters	100...7200	CMFR7T CMFR7D	CMFR12D	CMFR17D	CMFR24D	
Automatic	Standard	100...8000	CMA7T CMA7D	CMA12T CMA12D	CMA17D	CMA24D	CMA36D
	High power	1800...14000		CMA12GP	CMA17GP	CMA24GP	CMA36GP
	With detuned filters	100...7200	CMAR7T CMAR7D	CMAR12D	CMAR17D	CMAR24D	

(Maximum power per step)  
\* Other power ratings, please ask

Type of capacitor ... T three-phase  
... D single-phase

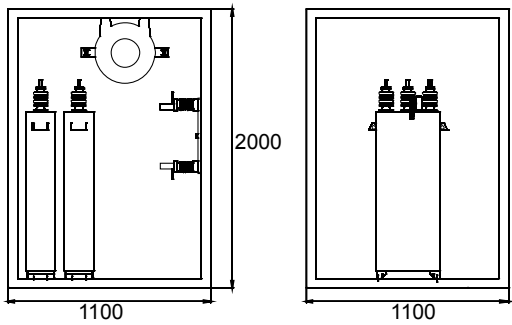
# CIRKAP-C

Fixed or automatic capacitor banks in cabinet

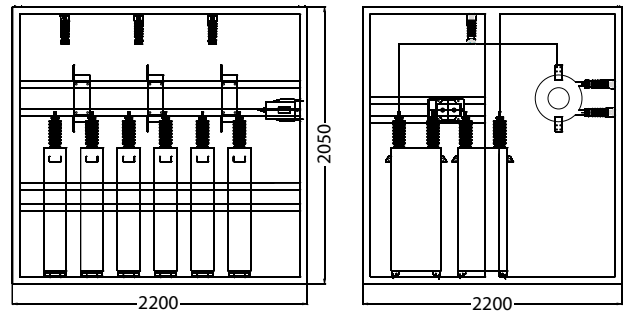
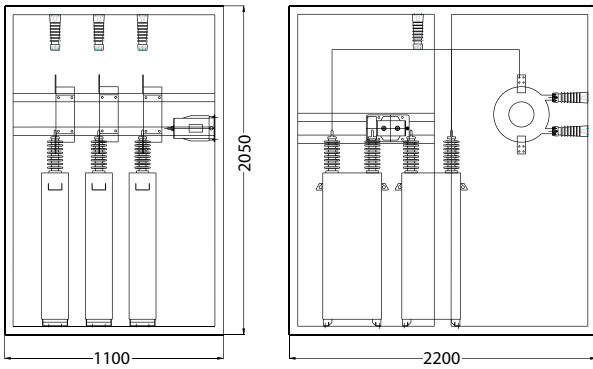
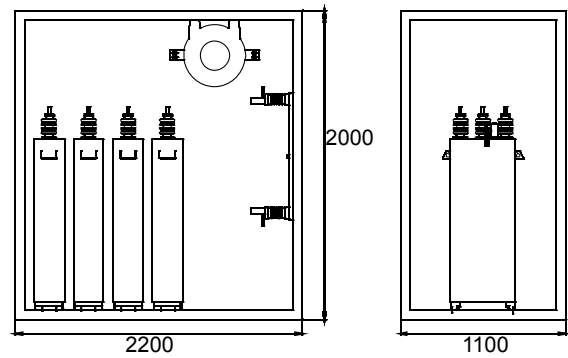
## Dimensions

Dimensions are approximate and could be different depending on the power, voltage and place of location

Cabinet with 2 capacitors



Cabinet with 4 capacitors



# CIRKAP-C

Fixed or automatic capacitor banks in cabinet

## Dimensions

Dimensions are approximate and could be different depending on the power, voltage and place of location

