

TD

Measurement current transformers



Description

The TD series transformers are current transformers with an improved design that meet all the needs of today's installations. They are versatile devices when it comes to mounting and fixing, and they are sealable, with the aim of avoiding any manipulation.

Main features:

- Type: bar entrance
- From 40 to 1600 A
- Test Report
- DIN rail fixing accessory
- Sealable
- Secondary .../5 A, .../1 A and .../250 mA (consult availability)
- Diameters from 21 to 44 mm

Applications

These transformers have been conceived to convert nominal currents in any installation to current values adjusted to measurement devices.

Build features


- DIN rail installation
- Backplane mounted installation
- Label and terminal cover
- Fixing to the busbar using screws with electrically insulated tip
- Fixing to busbar using ties
- Sealable

Technical specifications

Electrical characteristics	Frequency	50 Hz - 60 Hz
	Insulation voltage	3 kV
	Thermal short-circuit current, I_{th}	60 I_n
	Dynamic current, I_{dyn}	2.5 I_{th}
	Accuracy class	See table
	Highest voltage for the material	0.72 kV _{c.a.}
Environmental characteristics	Thermal class	B (130 °C)
	Casing	V0 UL94 self-extinguishing plastic
	Safety Factor	FS 5
	Protection Degree	IP20 terminals
Build features	DIN rail fixing	Yes
Standards	IEC 61869-1, IEC 61869-2, UL94	

Measurement current transformers

References

Type	TD4	TD5	TD6	TD8													
Dimensions (mm)																	
 a x b x c	80 x 50 x 48	84 x 58 x 53	91 x 66 x 53	109 x 85 x 59													
Diameter Ø (mm)	21	21	30	44													
Busbar (mm)	-	15 x 15 20 x 10 25 x 5	20 x 25 30 x 15 40 x 10	50 x 30 60 x 12 12 x 45													
VA	Class				Class				Class				Class				
	0,5	1	3	Code	0,5	1	3	Code	0,5	1	3	Code	0,5	1	3	Code	
A																	
40/5A	-	-	1,25	M75011.													
50/5A	-	1	1,5	M75012.	-	0,5	1,5	M75022.									
60/5A	-	1,25	2,5	M75013.	-	1	2,5	M75023.									
75/5A	-	1,5	3,75	M75014.	-	1,5	3,5	M75024.									
100/5A	1,5	2,5	5	M75015.	1,5	2,5	3,75	M75025.									
125/5A	2,5	3,75	5	M75016.	1,5	2,5	3,75	M75026.									
150/5A	3,75	5	5	M75017.	1,5	2,5	3,75	M75027.	1	2,5	3,5	M75047.					
200/5A	5	7,5	7,5	M75018.	2,5	3,75	5	M75028.	1,5	3,5	5	M75048.					
250/5A					2,5	3,75	5	M75029.	2,5	5	5	M75049.					
300/5A									2,5	5	5	M7504A.	2,5	3,5	3,5	M7506A.	
400/5A									2,5	5	5	M7504B.	2,5	3,5	5	M7506B.	
500/5A									5	7,5	7,5	M7504C.	2,5	5	5	M7506C.	
600/5A									5	7,5	7,5	M7504D.	2,5	5	5	M7506D.	
750/5A									5	7,5	10	M7504E.	2,5	5	5	M7506E.	
800/5A									5	7,5	10	M7504F.	5	7,5	7,5	M7506F.	
1000/5													5	7,5	10	M7506G.	
1200/5													5	7,5	10	M7506H.	
1250/5													7,5	10	10	M7506J.	
1500/5													7,5	10	15	M7506K.	
1600/5													7,5	10	15	M7506L.	

Coding

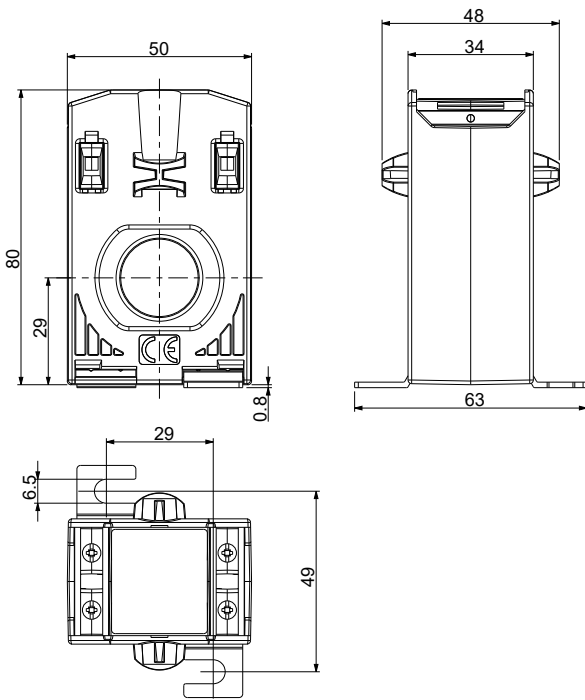
M	7	5	0	X	X	0	0	X
Internal code								↑
Secondary				Standard				0
				.../1 A				1
				.../ 250 mA				A

TD

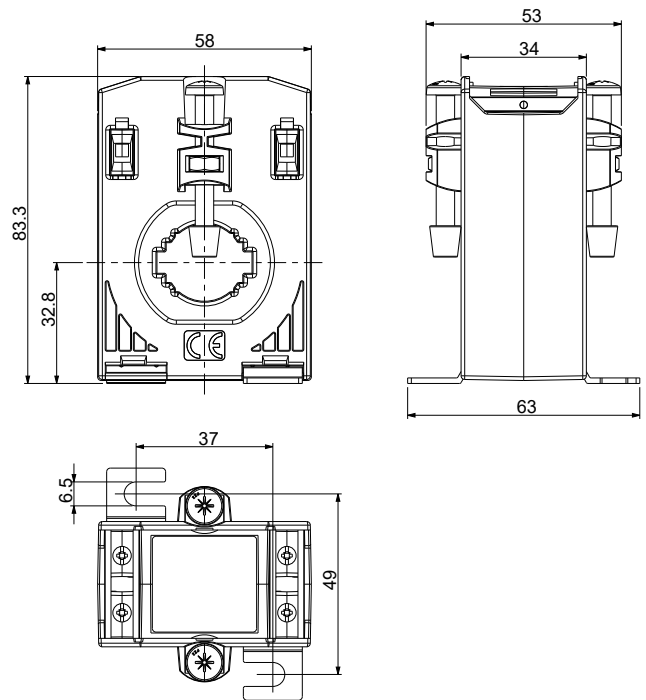
Measurement current transformers

Dimensions

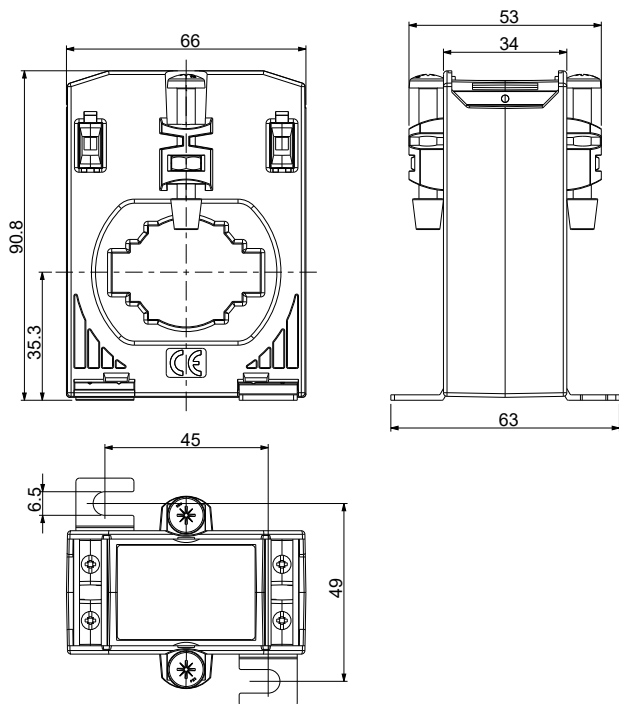
TD4



TD5



TD6



TD8

