

RVE-TERM

Prepaid card recording system for RVE systems

Description

Advanced HF hand-held terminal for prepaid card recording systems for RVE systems. The equipment allows RFID card recording (balance, number of credits). Selection of the prepaid application: timed, mixed. It has a backlit LCD display. Possibility of activating an Administrator account (numeric password) to prevent use by unauthorized individuals. It generates a card with an installation code.



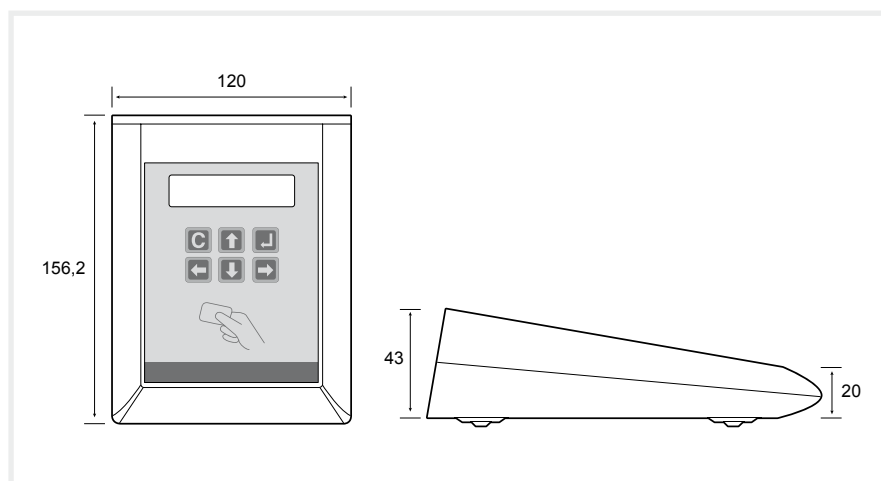
Features

Power circuit		Display	
Single-phase (phase – neutral) A1 – A2	11.4...12.6 V _{DC}	Type	LCD
Maximum power consumption	1.2 W	Characters	2 x 20
Mechanical features		Back lighting	Yes
Box material	UL94 - V0 self-extinguishing plastic	Display	
Protection degree of the unit	IP 20	Class I Installation Category. The unit is powered through a 12 V _{DC} power supply 0.5 mA	
Dimensions	120 x 154 x 43 mm	Standards	
Maximum operating altitude	2000 m	IEC 60664, VDE 0110, UL 94, EN61010-1, EN55011, EN 61000-4-2, EN 61000-4-3, EN 61000-4-11, EN 61000-6-4, EN 61000-6-2, EN 61000-6-1, EN 61000-6-3, EN 61000-4-5 CE	
RFID reader			
Type	MIFARE 13.56 MHz		
Keyboard	6 function keys		

Applications

Installations with electric vehicle recharging systems with prepaid systems.

Dimensions



Referencias

Type	Code	Description
RVE-TERM	V30013	Autonomous terminal for recharge cards RVE-CARD
RVE-CARD	V30012	RFID card with internal memory to store the user's remaining credits.
RVE-SOFT	V30014	PC software and USB reader for credit charge